

SMARTeZ™ Pump *enabling what matters most*



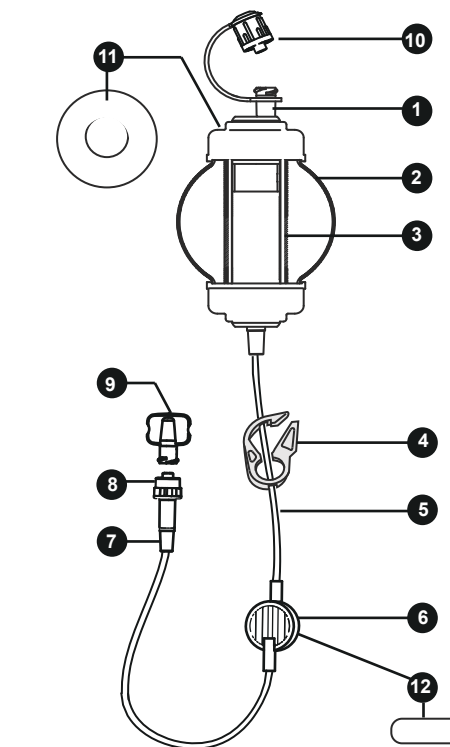
Infusion Therapy



SMARTeZ™ Pump

Portable single use elastomeric infusion pump

- 1 Fill port
- 2 Outer soft cover
- 3 Multi-layered elastomeric membrane
- 4 ON-OFF Clamp
- 5 Non DEHP PVC administration tubing
- 6 Air and particulate eliminating filter
- 7 Flow restrictor
- 8 Patient connector
- 9 Patient end cap
- 10 Fill port cap (tethered)
- 11 Labelling - Fill volume & infusion duration
- 12 Labelling - Flow rate



Stability of all usual drugs used.

Accuracy according to product documents.

Residual or purge volume of entire range of pump sizes.

Eliminating of particulates and air bubbles.

Leachable and Extractable Tests

Sterility / Biocompatibility



Key Specifications

Refer to Extended Stability for Parenteral Drugs 6th Edition ASHP Publications

Flow rate accuracy within +/- 15% of the nominal (label) flow rate under specified testing conditions. The flow profile is specified to deliver more than 80% of nominal (label) volume within +/- 50% of the nominal (label) flow rate under specified testing conditions.

The residual volumes of 2.0 ml, 3.5 ml and 5.0 ml for the pump fill volume of 50-125 ml, 200-300 ml and 400-500 ml.

The air-eliminating and particulate filter with pore size 1.2 µm is integrated with the administration tubing.

The leachable/extractable testing duration includes an additional of at least 8 hours of device/drug contact time over and above nominal duration time. Note: 8 hours exceed the intended use since infusion is started 1 hour after filling.

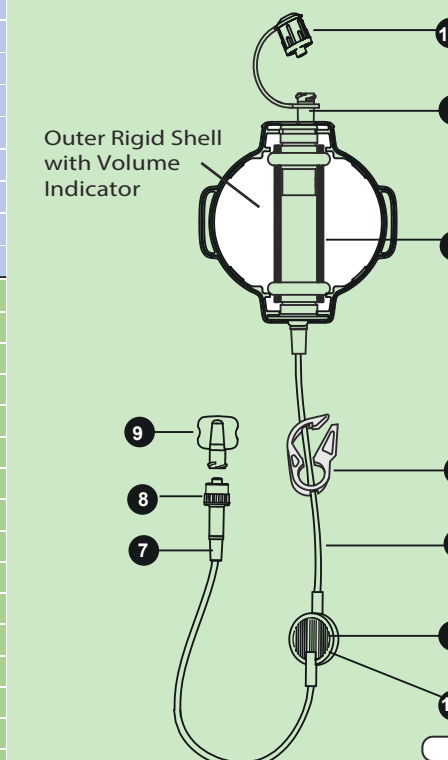
Not made from phthalate (DEHP) and natural rubber latex. All fluid pathway materials met the biocompatibility requirements per ISO 109931:2009. Sterility Assurance Level (SAL) of 10⁻⁶.

SMARTeZ™ Pump Rigid Shell

| Article No. | Volume (mL) | Flow Rate (mL/H) | Duration (H) | Color Code |
|-------------|-------------|------------------|--------------|----------------|
| 481030 | 50 | 50 | 1 | Dark Green ● |
| 481090 | 100 | 50 | 2 | Dark Green ● |
| 481150 | 250 | 50 | 5 | Dark Green ● |
| 481040 | 100 | 100 | 1 | White ● |
| 481110 | 200 | 100 | 2 | White ● |
| 481120 | 250 | 100 | 2 Hrs 30 min | White ● |
| 481100 | 400 | 100 | 4 | White ● |
| 481130 | 250 | 125 | 2 | Light Yellow ● |
| 481060 | 250 | 175 | 1 Hr 25 min | Blue ● |
| 481010 | 100 | 200 | 0.5 | Turquoise ● |
| 481140 | 200 | 200 | 1 | Turquoise ● |
| 481070 | 400 | 200 | 2 | Turquoise ● |
| 481050 | 250 | 250 | 1 | Dark Gray ● |
| 481080 | 500 | 250 | 2 | Dark Gray ● |
| 481020 | 250 | 500 | 0.5 | Violet ● |
| 480150 | 65 | 0.5 | 130 | Green ● |
| 480180 | 100 | 0.5 | 200 | Green ● |
| 480190 | 270 | 1 | 270 | Pink ● |
| 480120 | 100 | 1.5 | 67 | Dark Blue ● |
| 480050 | 60 | 2 | 30 | Yellow ● |
| 480080 | 100 | 2 | 50 | Yellow ● |
| 480100 | 120 | 2 | 60 | Yellow ● |
| 480160 | 270 | 2 | 135 | Yellow ● |
| 480170 | 300 | 2 | 150 | Yellow ● |
| 480060 | 120 | 4 | 30 | Orange ● |
| 480130 | 270 | 4 | 68 | Orange ● |
| 480140 | 400 | 4 | 100 | Orange ● |
| 480010 | 60 | 5 | 12 | Brown ● |
| 480020 | 80 | 5 | 16 | Brown ● |
| 480030 | 125 | 5 | 25 | Brown ● |
| 480090 | 270 | 5 | 54 | Brown ● |
| 480110 | 400 | 5 | 80 | Brown ● |
| 480040 | 270 | 10 | 27 | Light Green ● |
| 480070 | 400 | 10 | 40 | Light Green ● |
| 480210 | 500 | 20 | 25 | White ● |
| 480240 | 500 | 40 | 12.5 | White ● |
| 484010 | 100 | 2 | 50 | Yellow ● |
| 484020 | 270 | 2 | 135 | Yellow ● |
| 484030 | 120 | 4 | 30 | Orange ● |
| 484040 | 270 | 5 | 54 | Brown ● |
| 484050 | 270 | 10 | 27 | Light Green ● |

Product range with various pump sizes.

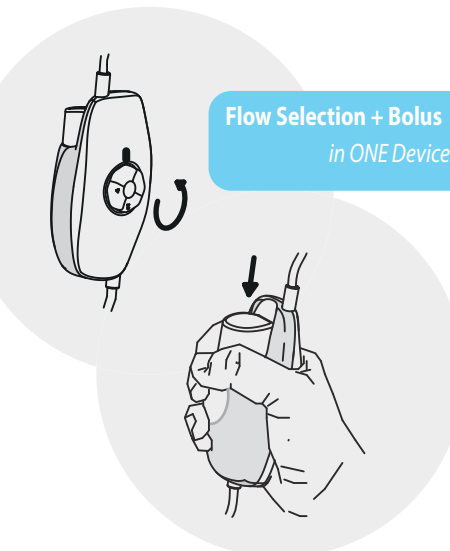
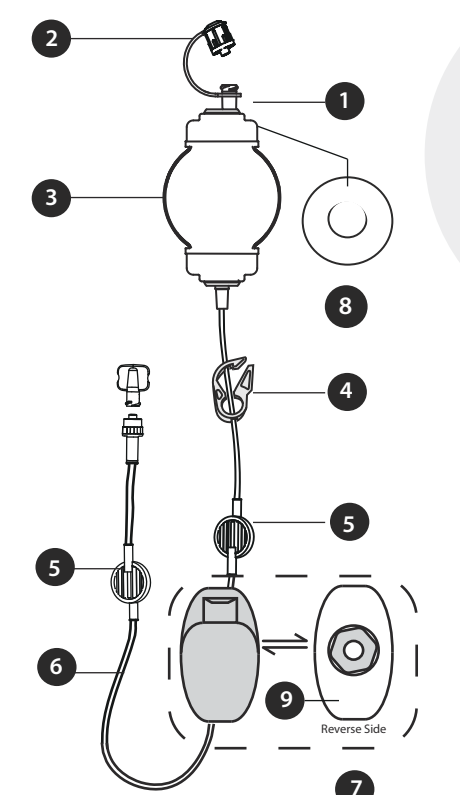
Refer to opposite page for component identification.



Article No. for Hard Shell Pumps has a suffix H. For example, 480080H is a rigid shell pump with 100mL nominal volume and flow rate 2 ml/H.

SMARTeZ™ Pump with JustONE PCA

1. Fill port
2. Fill port cap
3. SMARTeZ Pump
4. ON-OFF Clamp
5. Air and particulate eliminating filter
6. Non DEHP PVC administration tubing
7. JustONE PCA - Bolus and Flow Selection in ONE device
8. Labelling - Fill volume & infusion duration
9. Labelling - Selectable Flow rates and Bolus Volume



Flow Selection + Bolus in ONE Device

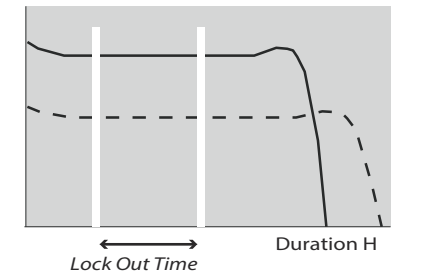


JustONE is a registered trademark of Epic Medical Pte Ltd U.S and Foreign Patents pending.

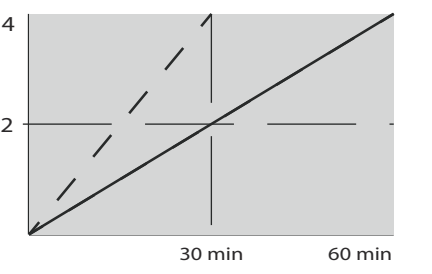
DESCRIPTION

The SMARTeZ™ Pump with JustONE PCA incorporates a bolus device. The JustONE device delivers a selectable continuous infusion (basal) and allows fixed boluses to be delivered on demand by patient or healthcare provider. The pump reservoir is identical to the SMARTeZ Pump that has a specially designed multi-layered balloon-like reservoir to be filled with the drug or fluid intended for infusion. It exerts mechanical pressure thereby administering the contents through an orifice tube at a predetermined selectable flow rate. The entire unit is sterile and is intended for single-use only.

Selectable Basal + Bolus Infusion



Typical Refill Chart of JUSTONE PCA



www.epic-med.com

EC REP MT Promedt Consulting GmbH Altenhofstr. 80 66386 St. Ingbert Germany